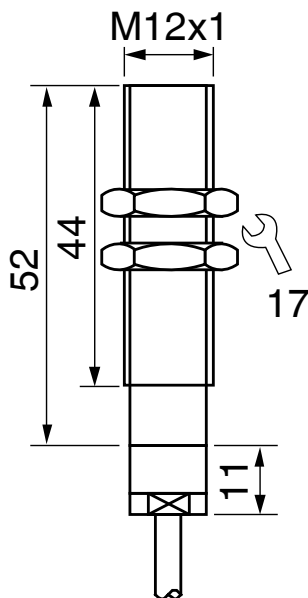


## IT-12BPST-L-60

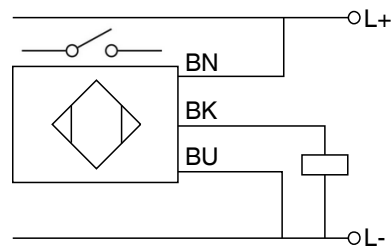
### Technical data:

- |                             |  |
|-----------------------------|--|
| 1. Switching distance $s_n$ | : 2 mm flush                           |
| 2. Operating point          | : $0.8 s_n$                            |
| 3. Hysteresis               | : $< 0.1 s_n$                          |
| 4. Ambient temperature      | : $-55\text{ °C} \dots +60\text{ °C}$  |
| 5. Supply voltage           | : 10...30 V DC                         |
| 6. Switching output         | : PNP NO, short circuit proof          |
| 7. Switching current        | : max. 200 mA                          |
| 8. Current consumption      | : max. 4 mA                            |
| 9. Voltage drop             | : max. 2 V                             |
| 10. Switching frequency     | : 1000 Hz                              |
| 11. Protection [EN 60529]   | : IP 68 / IP 69                        |
| 12. Housing materials       | : PTFE / stainless Steel               |
| 13. Electrical connection   | : 2 m FEP-cable 3x0.34 mm <sup>2</sup> |

### Dimensions



### Connection diagram



Colour code:  
BN: brown BK: black BU: blue